



May 2026

May's updates highlight the continued growth and evolution of FireFly technology across the turf industry. This month, we're sharing insights from surpassing 75,000 autonomous mowing acres, expanding AMP deployments into Canada, and introducing new tools and improvements for both robotic mowers and harvesters.

We're also highlighting upcoming events such as the Utah Study Tour service school event, updates to Slow Zones in FireLink, the release of a new Bernhard bedknife grinder adapter, and a recent conversation between FireFly VP of Technology, Eric Aston, and Frank Rossi on *Frankly Speaking*.

Featured News & Articles

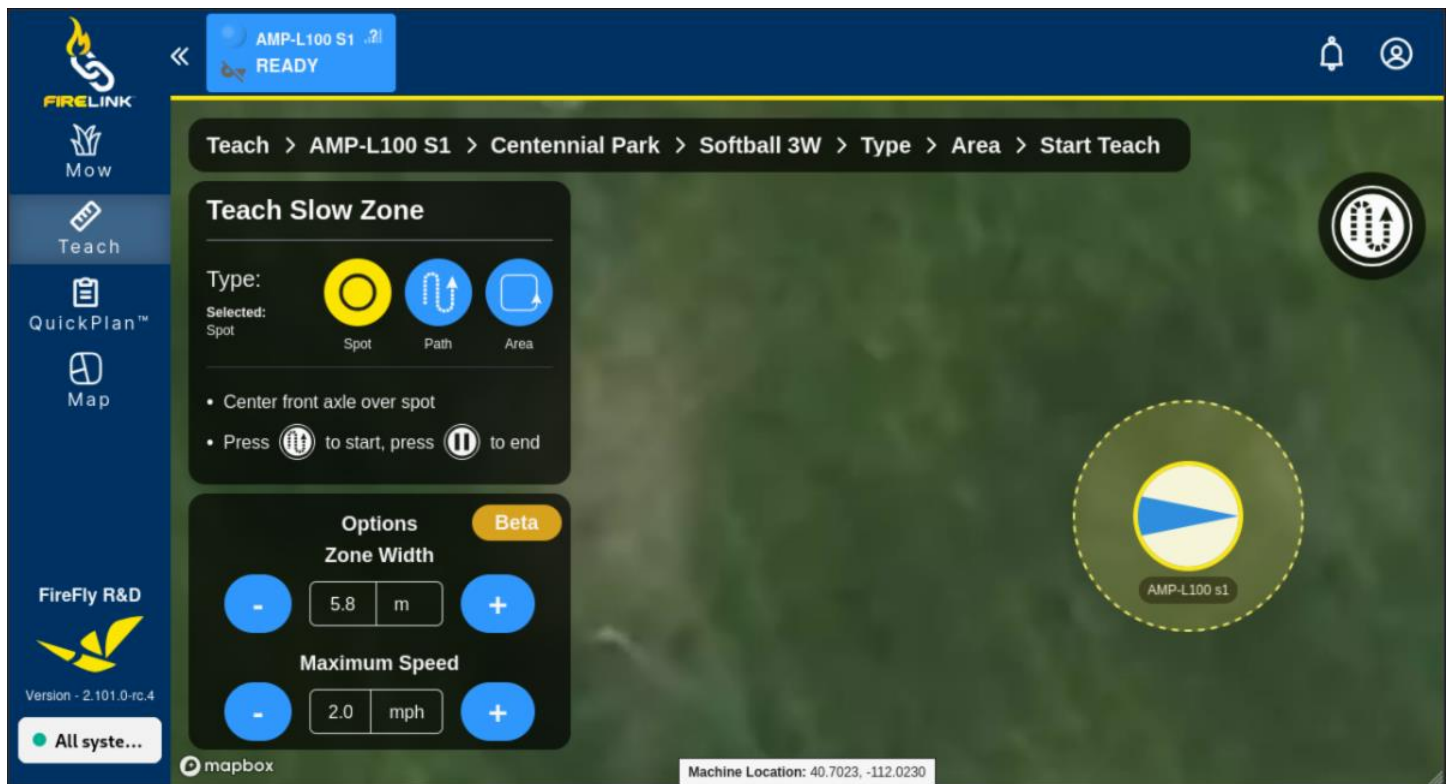
11 Lessons that 75,000 Acres of Autonomous Mowing Have Taught Us

| 75,000 Acres Mowed. Autonomously. | FIREFLY AUTOMATIX | |
|---|---|--|
| | | |
| 75,000 Acres | 40,000 Fairways | 3.2B Feet ² |
| Mowed by precision robotics. Staff freed to add value in the details. | The equivalent of over 40K fairways, spanning varied climates and conditions. | More than 3.2 billion square feet maintained autonomously. |

Surpassing 75,000 autonomous mowing acres has provided FireFly with more than just a milestone. It has created thousands of hours of real-world learning across a wide range of courses, climates, and operating conditions. Every acre has helped refine AMP's performance, improve reliability, and shape new features designed to deliver more consistent playing conditions and a better overall mowing experience.

Discover What We Learned

Slow Zones Just Got Even More Powerful

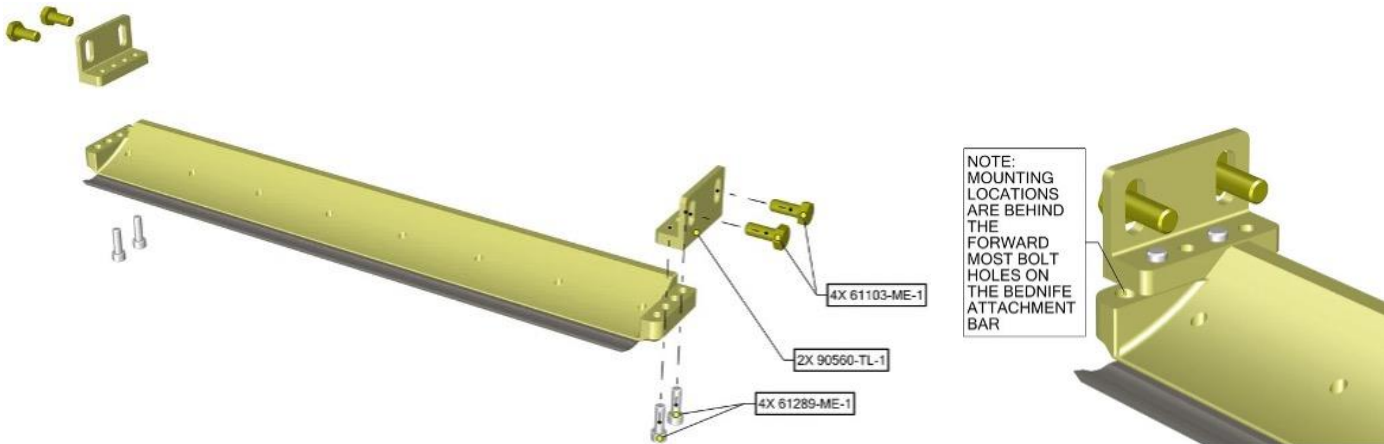


Slow Zones now offer an enhanced workflow and new features. Easily designate areas to slow machines, protect turf, and navigate complex spaces efficiently.

Find Out How Slow Zones Can Improve Your Course

New Bedknife Adapter for Bernhard Grinders

Bedknife adapters for Bernhard grinders are now available! Developed in response to strong customer demand, these adapters make it easy for maintenance teams to service FireFly cutting units using existing Bernhard equipment.



[Order Yours Today!](#)

FireFly Social

News, Social Media, and More

Transforming Golf Course Mowing

Frankly Speaking with Eric Aston, VP of Technology at FireFly Automatrix



[Listen to the Podcast](#)

Frank Rossi recently sat down with Eric Aston to discuss the evolution of automation at FireFly, including the development of AMP fairway mowers and the growing adoption of autonomous technology in golf.

The First Step for AMP in Canada

Another successful deployment, this time at the historic Shaughnessy Golf & Country Club

The deployment at Shaughnessy Golf and Country Club in Vancouver marks FireFly's first installation in Canada and reflects the continued growth of AMP adoption in new markets and operating environments.



[Check out the Post](#)

Upcoming Events

Lawn Solutions Australia Global Turf Conference

May 18 – 19, 2026
Shellharbour, NSW

Turfgrass Growers Association Demonstration Day

July 2, 2026 Kent, UK

Harvester Service Schools

Congrats to all the operators and mechanics who have participated in one of 12 successful FireFly harvester training sessions so far this year! Just three more sessions remain.

- July 13-16 **Factory Experience + In-Depth ProSlab Training** (English) Salt Lake City, UT. Don't miss your chance to attend this four-day, hands-on learning experience

designed to equip operators and mechanics with the knowledge and practical skills necessary to safely operate, maintain, and troubleshoot FireFly ProSlab harvesters.

- July 28-29 **ProSlab Training (English)** Jourdanton, TX
- July 30-31 **ProSlab Training (Spanish)** Jourdanton, TX

[Register Now!](#)

Interested in previous newsletters?

We've made it easy! Just visit the [Articles](#) page on our website and click the *Newsletters* dropdown at the top right to see a complete list of previous editions.

Precision Turf Robotics™